

ANNULAR BOP

Annular Blowout Preventer (Annular BOP)

Annular Blowout Preventer (Annular BOP) is important equipment widely used in onshore and offshore drilling. Jereh provides three types of annular BOP: bolted-cover, wedged-cover, latched-cover type.

All types of annular BOP are strictly manufactured as per API Spec 16A with high quality as Shaffer annular BOP or Hydril annular BOP does.

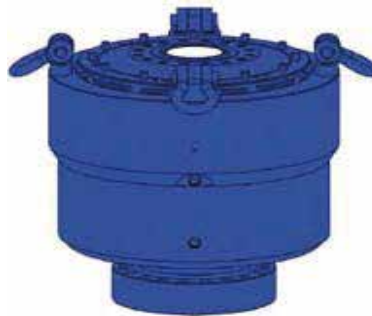


Annular BOP Sizes and Models

Annular BOP Sizes and Models					
Working Pressure (psi)	Bore (in.)				
	7-1/16	11	13-5/8	20-3/4	21-1/4
10,000	Red	Red	Blue	Blue	
5,000	Red	Red	Red	Red	
3,000	Red	Red	Red	Red	Red
2,000					Red



Bolted-Cover Annular BOP



Wedged-Cover Annular BOP



Latched-Cover Annular

Technical Specification of some Annular BOPs

Annular BOP Model		JD-FH28-21	JD-FH35-21	JD-FH18-35	JD-FH28-35	JD-FH35-35
Bore Dia.	mm	280	346	180	280	346
	in	11	13 ⁵ / ₈	7	11	13 ⁵ / ₈
Rated Working Pressure	Mpa	21	21	35	35	35
	psi	3,000	3,000	5,000	5,000	5,000
Shell Testing Pressure	Mpa	42	42	70	70	70
	psi	6,000	6,000	10,000	10,000	10,000
Recom.Hyd.Pressure	Mpa	8.4~10.5	/	/	/	/
	psi	1,200-1,500	/	/	/	/

Liters to Open	L	33	66	15	57	66
	Gal(us)	8.68	17	4	15	17
Liters to Close	L	48	90	20	72	90
	Gal(us)	12.6	24	5	19	24
Inlet and Outlet Size of Control Pipeline (in)	NPT 1	NPT 1	NPT 1	NPT 1	NPT 1	NPT 1
Working Temperature	-29°C-121°C					
Media	Crude oil, natural gas & drilling fluid containing H2S					
Weight	kg	3,272	5,352	1,444	4,328	6,384
	lbs	9,340	11,800	3,184	9,522	14,015
Dimensions(ODXH)	mm	1,032 x930	1,245 x1,090	745x788	1,135x1,065	1,271x1,220
	in	45x42	49x43	29x31	45x42	50x48

RAM BOP

Ram Blowout Preventer (Ram BOP)

Ram blowout preventer (Ram BOP) is the important equipment widely used in onshore and offshore drilling.

Jereh provides various kind of Ram BOP, such as single ram BOP, double ram BOP, triple ram BOP, quadplex Ram BOP.

All ram BOPs are strictly manufactured as per API Spec 16A with high quality as Shaffer ram BOP, Cameron ram BOP, or Hydril ram BOP does.



Ram BOP

Technical Specifications of Ram BOP

Ram BOP Model	Bore (in)	Working pressure (MPa/Psi)	Shear or Not	Open volume (L)	Close volume (L)	Locking type	Total weight(kg) (reference)	Dimensions(mm)			Connection		
								L	W	H	TOP	Bottom	
FZ18-21	7 ¹ / ₁₆	21/3,000	N	2x1.6	2x2	Manual	798	1,520	540	280	Studded	Studded	
2 FZ18-21				4x1.6	4x2		1,660	1,520	540	566	Studded	Studded	
FZ18-35	7 ¹ / ₁₆	35/5,000	N	2x1.6	2x2	Manual	798	1,520	540	280	Studded	Flanged	
FZ18-35				4x1.6	4x2		1,660	1,520	540	556	Studded	Studded	
FZ18-70	7 ¹ / ₁₆	70/10,000	N	2x2.75	2x2.75	Manual	1,240	2,054	480	595	Studded	Flanged	
2 FZ18-70				4x2.75	4x2.75		2,335	2,054	480	910	Studded	Flanged	
FZ23-21	9	21/3,000	N	2x1.96	2x2.36	Manual	792	1,726	595	280	Studded	Studded	
2 FZ23-21				4x1.96	4x2.36		1,800	1,726	595	710	Studded	Flanged	
FZ23-35	9	35/5,000	N	2x4.4	2x5	Manual	1,735	2,032	735	625	Studded	Flanged	
2 FZ23-35				4x4.4	4x5		3,980	2,032	865	830	Studded	Studded	
FZ23-70	9	70/10,000	N	2x5.7	2x6.3	Manual	3,025	2,046	915	925	Flanged	Flanged	
2 FZ23-70				4x5.7	4x6.3		5,480	2,046	915	1130	Studded	Flanged	
FZ23-70				2x5.38	2x6.08		Hydraulic	3,350	1,958	915	925	Flanged	Flanged
2 FZ23-70				4x5.38	4x6.08		Hydraulic	6,080	1,958	915	1345	Flanged	Flanged
FZ28-21	11	21/3,000	N	2x5.2	2x6	Manual	1,840	2,070	675	690	Flanged	Flanged	
2 FZ28-21				4x5.2	4x6		3,650	2,070	875	800	Studded	Studded	
FZ28-21			2x13	2x12.1	2,155		2,448	675	690	Studded	Flanged		
2 FZ28-21			Y	2 x5.2 up 2x13 down	2x6 up 2x12.1 down	Manual	3,865	2,448	875	800	Studded	Studded	
FZ28-35	11	35/5,000	N	2x5.15	2x5.9	Manual	2,260	2,110	780	660	Studded	Flanged	
2FZ28-35				4x5.15	4x5.9		4,255	2,110	865	830	Studded	Studded	
FZ28-35	11	35/5,000	Y	2X11	2X12	Manual	2,660	2,510	780	660	Studded	Flanged	
2 FZ28-35				4X11	4X5.9		4,935	2,510	880	1,300	Flanged	Flanged	
FZ28-70	11	70/10,000	Y	2X15	2X16.5	Manual	3,955	2,445	920	803	Flanged	Flanged	
2 FZ28-70				4X15	4X16.5		7,500	2,445	1,020	1,233	Studded	Flanged	
FZ35-14	13 ⁵ / ₈	14/2,000	N	2X2.8	2X3.55	Manual	1,360	2,400	720	335	Studded	Flanged	
FZ35-21	13 ⁵ / ₈		N	2X5.85	2X6.65		2,020	2,340	750	555	Studded	Flanged	
2 FZ 35-21				4X5.85	4X6.65	3,516	2,340	844	790	Studded	Studded		
FZ 35-21			Y	2X17.5	2X20	2,865	2,564	830	593	Studded	Flanged		
2 FZ 35-21						4X17.5	4X20	5,481	2,564	830	994	Studded	Flanged
FZ 35-21			Y	2X24	2X27	Manual	5,908	3,818	1,180	705	Studded	Flanged	
FZ35-35	13 ⁵ / ₈	35/5,000	N	2X8.25	2X8.95	Manual	3,300	2,400	920	710	Studded	Flanged	
2 FZ35-35				4X8.25	4X8.25		6,150	2,400	920	1,360	Flanged	Flanged	
FZ35-35			Y	2X17.9	2X19.6		3,620	2,693	920	710	Studded	Flanged	
2 FZ35-35			4X17.9	4X19.6	6,420		2,693	920	1,145	Studded	Flanged		
FZ35-70	13 ⁵ / ₈	70/10,000	Y	2X14.7	2X16.6	Manual	6,445	2,670	1,240	960	Studded	Flanged	
2 FZ35-70				4X14.7	4X16.6		11,950	2,670	1,240	1,485	Studded	Flanged	

FZ35-70				2X18.3	2X20.9		6,450	2,795	1,240	966	Studded	Flanged
2 FZ35-70				4X18.3	4X20.9		11,660	2,795	1,238	1,491	Studded	Studded
FZ43-35	16 ³ / ₄	35/5,000	Y	2X20	2X23		6,600	3,155	1,238	850	Studded	Flanged
2 FZ43-35				4X20	4X23		11,800	3,155	1,215	1,400	Studded	Flanged
FZ48-35	18 ³ / ₄	35/5,000	Y	2X26.5	2X31		9,420	3,420	1,180	1,242	Flanged	Flanged
2 FZ48-35				4X26.5	4X31		17,020	3,420	1,325	1,797	Flanged	Flanged
FZ53-21	20 ³ / ₄	21/3,000	N	2X11.65	2X13.65		5,365	3,206	1,215	1,100	Flanged	Flanged
2 FZ53-21				4X11.65	4X13.65		9,530	3,206	1,180	1,280	Studded	Flanged
FZ54-14	21 ¹ / ₄	14/2,000	N	2X11.65	2X13.65		4,725	3,206	1,325	705	Studded	Flanged
2 FZ54-14				4X11.65	4X13.65		8,980	3,206	1,180	1,155	Studded	Flanged
FZ54-14			Y	2X24	2X27		5,268	3,818	1,180	705	Studded	Flanged
2 FZ54-14				4X24	4X27		10,116	3,818	1,180	1,155	Studded	Flanged
FZ54-35	21 ¹ / ₄	35/5,000	Y	2X29.7	2X31.1		9,730	3,494	1,387	1,071	Studded	Flanged
2FZ54-35				4X29.7	4X31.1		17,625	3,494	1,387	1,656	Studded	Studded
FZ54-70	21 ¹ / ₄	70/10,000	Y	2X28	2X29	17,873	3,880	1,845	1,660	Flanged	Flanged	
2FZ54-70				4X28	4X29	28,075	3,880	1,845	2,225	Studded	Flanged	
FZ68-21	26 ³ / ₄	21/3,000	Y	2X33.5	2X35	10,520	4,154	1,800	980	Studded	Flanged	
2 FZ68-21				4X33.5	4X35	19,841	4,154	1,800	1,612	Studded	Flanged	

Index-2016.10-V1/EN

Copyright © Jereh Global All rights reserved.



Jereh Global Development LLC

Add: No.9 Jereh Road, Laishan District, Yantai, P. R. China

Tel: 0535-6765628 6765630

Fax: 0535-6723171 6723172

Email: petroleum@jereh.com

Http: www.jereh.com