

AIR WINCH

Air Winch

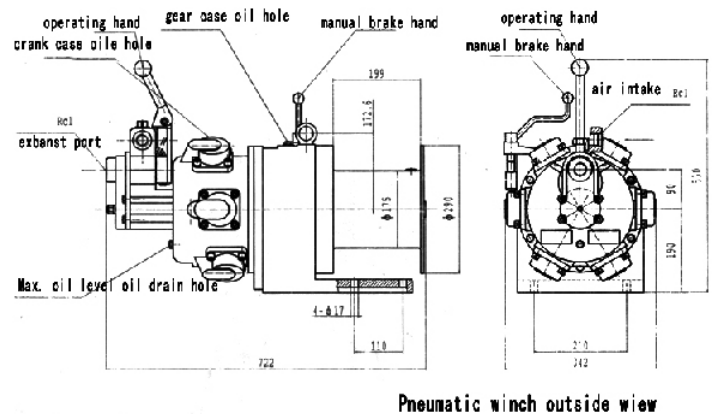
Air winch is one kind of hand control winch with double brakes, single roller, mainly applied in oil field, coal mine and other excavating place, building projects etc. for consigning or lifting heavy items. Air winch takes TMH7 piston air motor as power.

Advantage of Air Winch:

- Small volume, light weight, speed can be adjusted, easy to transit and fast to install.
- Has the function of over-load protection.
- Can work in flammable and explosive place.
- Large pneumatic torque, can be started with stowage, can realize positive and negative reversal.

Air Winch Model JDAM-5AX48

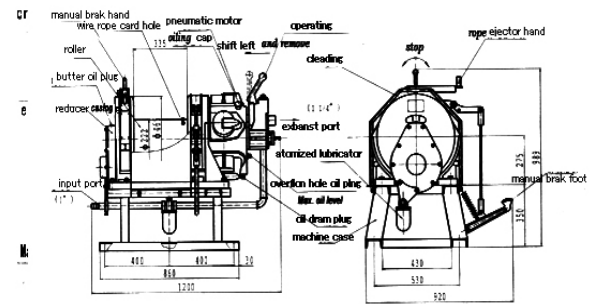
Technical Specification of Air Winch JDAM-5AX48		
operating pressure (MPa)		0.6
rated tractive force (Kn)		5
wire rope (m/min)		48
pneumatic motor	rated power (kw)	1.5
	cylinder number (piece)	6
roller	number (piece)	1
	diameter (mm)	175
	width (mm)	198
	tip diameter (mm)	290
	cope capacity(m)	120
Steel wire diameter		8
air inlet pipe diameter		25
outside dimension	length (mm)	722
	wide (mm)	342
	height (mm)	530
total weight (kg)		117



Air Winch JDAW-5AX48 Outer Dimension

Air Winch Model JDAW-SB50X12

Technical Specification of Air Winch JDAW-SB50X12		
operating pressure(MPa)		0.7-0.9
rated tractive force(kN)		50
wire rope (m/min)		12
pneumatic motor	rated power(kw)	15
	cylinder number (piece)	5
roller	number(piece)	1
	diameter (mm)	222
	width (mm)	338
	tip diameter(mm)	485
	cope capacity (m)	150
steel wire diameter		15.875
air inlet pipe diameter		25
outside dimension	length(mm)	1120
	width(mm)	900
	height(mm)	989
total weight (kg)		418



dural brake pneumatic winch
 Air Winch JDAW-SB50X12 Outer Dimension

Address:	No.7, Aucma Street, Laishan District, Yantai, Shandong, P.R.China 264003
Tel:	+86-535-6723520 6723201
Fax:	+86-535-6723171 6723272
E-mail:	petroleum@jereh.com; cnjereh@gmail.com
Website:	Http://www.jereh-oilfield.com