

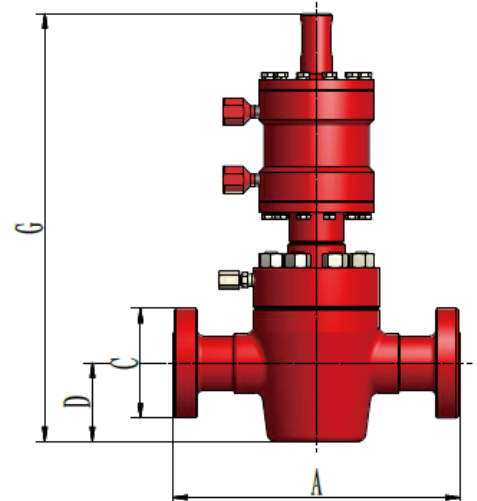
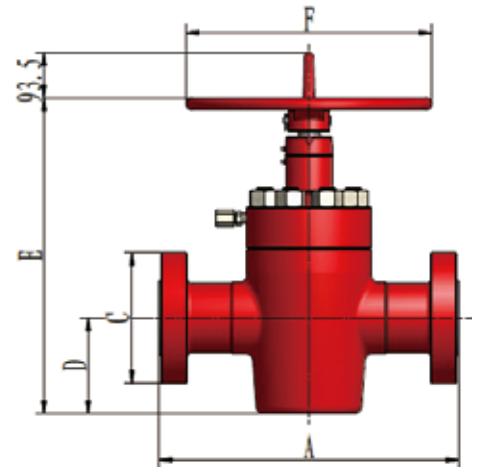
GATE VALVE

Gate Valve

Jereh gate valve, featured by high performance and bi-directional sealing, can give fairly good performance under high pressure service as Cameron gate valves do.

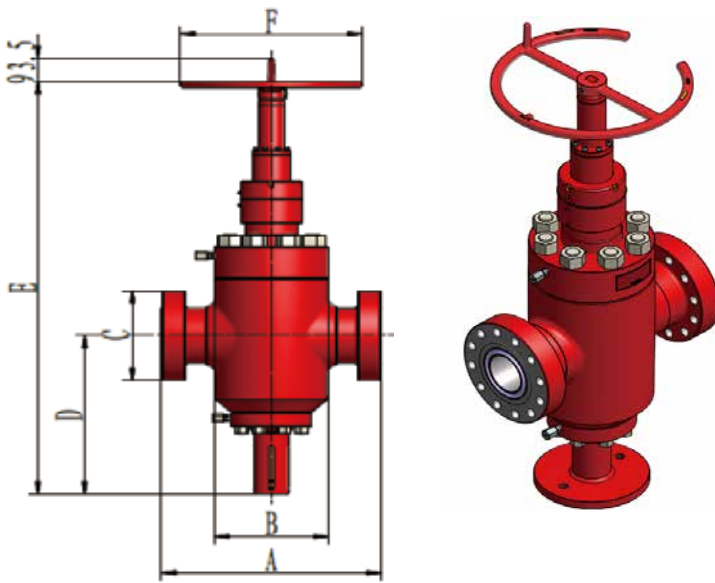
Main Features:

- ✧ Close-die Forging valve body
- ✧ Small operating torque
- ✧ Manual or Hydraulic operation.
- ✧ Metal to metal rear seat sealing.
- ✧ Double metal sealing for valve body and bonnet.
- ✧ API-6A latest Edition, NACE MR0175.
- ✧ AA~FF, PSL 1~4, PR1,



Manual & Hydraulic Gate Valve

Model	Nominal Size(in)	pressure (psi)
Gate Valve	2-1/16	3000, 5000, 10000, 15000
	2-9/16	3000, 5000, 10000, 15000
	3-1/16	10000, 15000
	3-1/8	3000, 5000
	4-1/16	3000, 5000, 10000, 15000
	5-1/8	3000, 5000, 10000
	7-1/16	3000, 5000

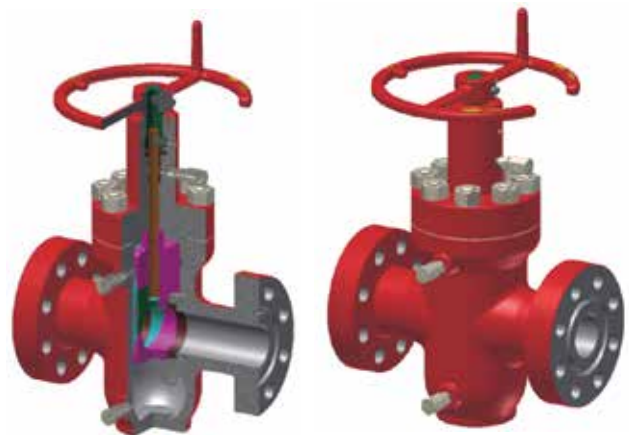


Roller Screw Gate Valve

Nominal size(in)	Pressure (psi)	Dimension (mm)						Connection	Weight (Kg)
		A	B	C	D	E	F		
4-1/16"	15000	737	Φ404	Φ360	620	1678		BX155	850
5-1/8"	10,000	737	Φ383	Φ360	639	1663	Φ610	BX169	769
5-1/8"	15000	889	Φ452	Φ420	615	1695		BX169	1280
7-1/16"	10,000	889	Φ485	Φ480	831	2175	Φ813	BX156	1670

Expanding Gate Valve

Model	Nominal Size(in)	pressure (psi)
Expanding Gate Valve	2-1/16	2000
		3000
		5000
	2-9/16	2000
		3000
		5000
	3-1/8	3000
		5000
	4-1/16	2000
		3000



Mud Gate Valve

Jereh mud gate valve, specially engineered for the rigorous requirements of oilfield applications, can commonly be selected for various oilfield applications, including:



- ✧ Drilling standard manifold
- ✧ Pump manifold block valves
- ✧ Wellheads
- ✧ Production flow lines
- ✧ Production manifolds
- ✧ Well treating and frac service
- ✧ High pressure drilling system block valves

chart 1-size

Size		ID				
in	(mm)	OD	Sch.40	Sch.80	Sch.160	XXH
1-1/2"	40	1.900	1.610	1.500		
2"	50	2.375	2.067	1.939	1.687	1.503
2-1/2"	65	2.875	2.469	2.323	2.125	1.771
3"	80	3.500	3.068	2.900	2.624	2.300
4"	100	4.500	4.026	3.826	3.438	3.152
5"	125	5.563		4.813	4.313	4.063

chart 2-pressure

Pressure rating	Class	class	class	class	WP	WP	WP	WP
	400	600	900	1500	1000	2000	3000	5000
WP	990	1480	2220	3705	1000	2000	3000	5000
TEST	1500	2225	3350	5575	2000	4000	6000	7500

Index-2016.10-V1/EN

Copyright © Jereh Global All rights reserved.



Jereh Global Development LLC

Add: No.9 Jereh Road, Laishan District, Yantai, P. R. China

Tel: 0535-6765628 6765630

Fax: 0535-6723171 6723172

Email: petroleum@jereh.com

Http: www.jereh.com